



GAI-TRONICS® CORPORATION
A HUBBELL COMPANY

ICS Class I, Div. 2 Weatherproof Page/Party® Station Quick Installation Guide

Important Safety Instructions

This equipment is suitable for use in Class I, Division 2, Groups A, B, C and D, Class II Division 2, Groups F, and G, Class III OR non-hazardous locations only. Combinations of equipment in your system are subject to investigation by the local Authority Having Jurisdiction at the time of installation.

- Read, follow, and retain instructions – All safety and operating instructions should be read and followed before operating the unit. Retain instructions for future reference.
- Heed warnings – Adhere to all warnings on the unit and in the operating instructions.
- Attachments – Attachments not recommended by the product manufacturer should not be used, as they may cause hazards. Maximum system cable length is not to exceed two miles.
- Servicing – Do not attempt to service this unit by yourself. Opening or removing covers may expose you to dangerous voltage or other hazards. Refer all servicing to qualified service personnel.
- This permanently connected apparatus must have a UL Listed 15-amp circuit breaker incorporated in the electrical installation of the building.

WARNING – EXPLOSION HAZARD – Do not disconnect equipment unless power has been removed or the area is known to be non-hazardous. Avertissement – Risque d'explosion – avant de déconnecter l'équipement, couper le courant ou s'assurer que l'emplacement est désigné non dangereux.

USA and Canada Consult the National Electrical Code (NEPA 70), Canadian Standards Association (CSA 22.1), and local codes for specific requirements regarding your installation. Class 2 circuit wiring must be performed in accordance with NEC 725.55.

⚠ WARNING ⚠ In 24 V dc systems: Under NO condition should this equipment be operated from a battery charger without the batteries connected. In 24 V dc systems, most chargers have an unloaded output of 35 to 45 volts that can quickly damage the equipment designed for nominal 24 volts. The maximum battery voltage should never exceed the maximum specified input voltage.

General Information and Available Options

This guide covers the installation of the ICS Weatherproof Page/Party® Station. Figure 1 shows configurations with the following options:

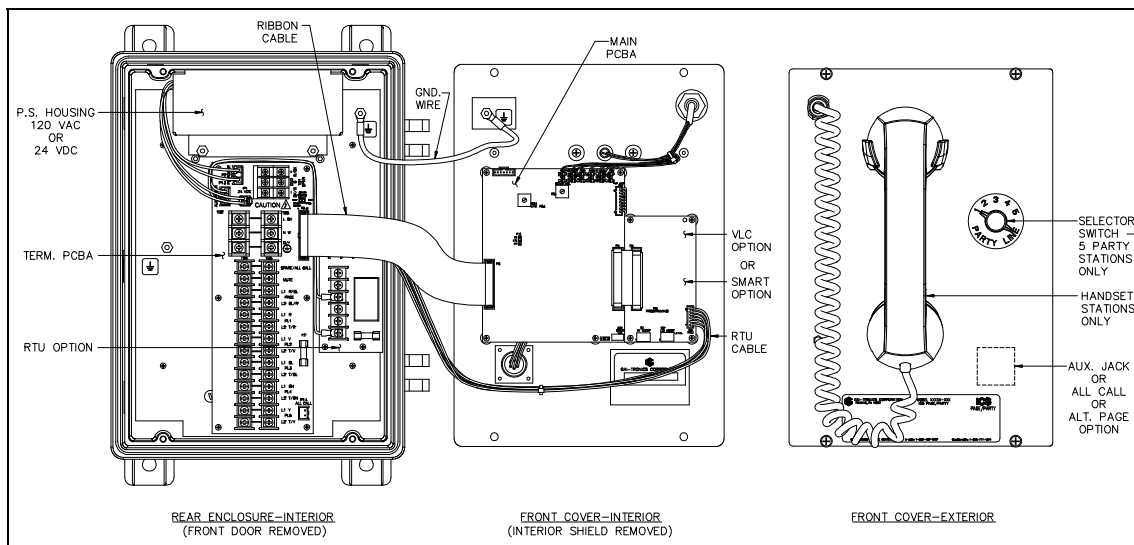


Figure 1. ICS Weatherproof Station with available options (AC Version shown)

- Universal ac or 24 V dc power
- Single or multi-party system, or amplifier only
- All Call
- SmartSeries
- Alternate page destination
- Emergency party line (EPL)
- Auxiliary jack
- VLC
- RTU

All ICS Stations are wired in parallel. Good system layout design minimizes the cable required. Refer to Pub. 42004-724L2 at the “Manuals & Specs” link at www.gai-tronics.com for detailed explanations of the available configuration options and adjustments, system design information, and warranty.

Mounting and Wiring

Mount the enclosure using the four 0.437-inch (11 mm) diameter holes located on the mounting flanges with 3/8-inch (M8) hardware. Remove front panel and drill or punch wire entry openings in the rear enclosure. See Figure 2 for suggested locations. There must be a minimum of 1/2 inch (12.7 mm) of material between wire entry holes. The recommended entry is via the enclosure bottom to prevent moisture from dripping onto the terminals. Top entry is not permitted, as the power supply is located at the top of the enclosure. Basic wiring connections are shown on Figure 3. Use GAI-Tronics 60029 series multi-party cable or 60038 series single party cable terminated with #6 spade lugs. Torque the terminal block screws to 8 to 10 lbf-in (0.90 to 1.13 N·m) when attaching the spade lugs.

Available Adjustments

Most optional equipment is preconfigured to a default standard at the factory. The following is a partial list of the available adjustments and settings that may be needed:

Main PCBA

- Speaker Volume
- Receiver Volume
- Transmit Level
- Mutual Muting

VLC Option

- Speaker Volume
- VLC Override
- Test Tone
- Page Control
- Remote Signaling

SmartSeries Option

- FSK Transmit Level
- Address

Termination PCBA

- Speaker Impedance

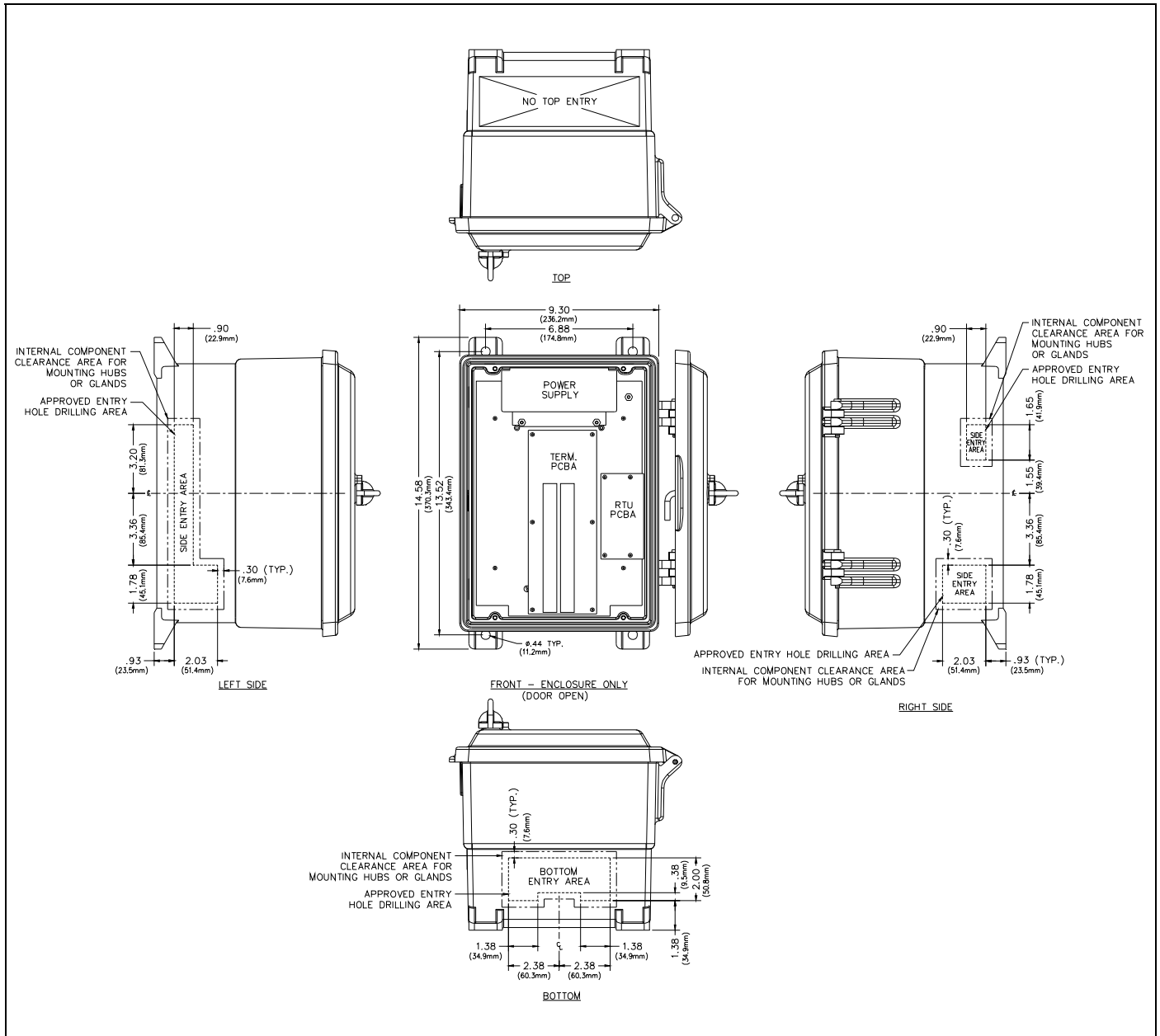


Figure 2. Suggested wire entry locations

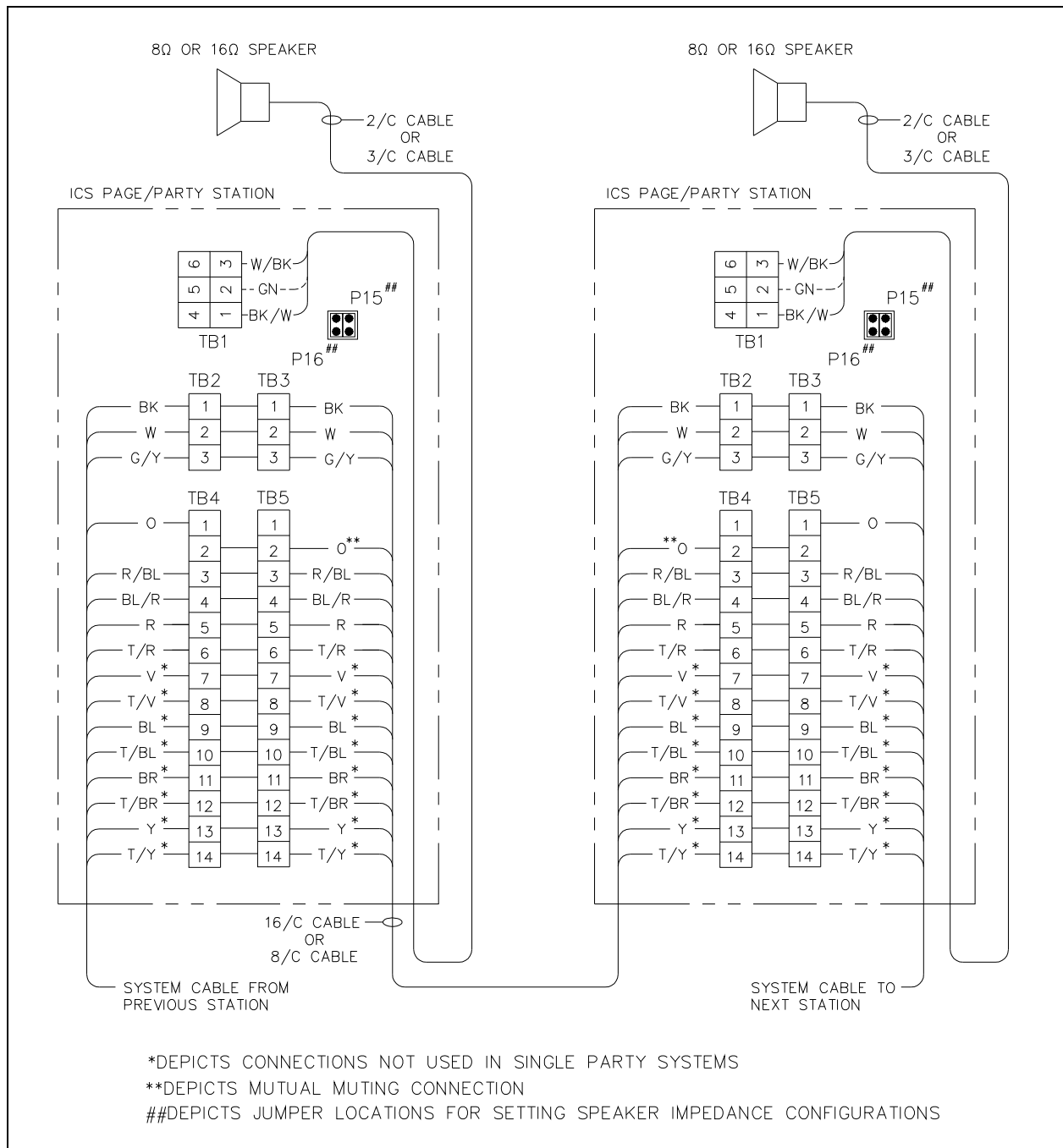


Figure 3. Typical installation wiring configuration

NOTE: Station input power can be through system cable or through a separate power source cable.
See Pub. 42004-724L2 for the possible beacon, RTU activation, and speaker impedance configurations.

Front Cover Reattachment

Connect any cable harnesses that were disconnected during mounting. Place the front cover inside the rear enclosure, being careful not to pinch any cables. Attach the front cover with the four screws and washers provided. Torque the screws to 10 to 12 lbf-in (1.13 to 1.36 N·m).

NRTL Listed for USA and Canada..... Class I, Groups A, B, C, and D, Division 2;
Class II, Groups F and G, Division 2;
Class III, Division 2 Hazardous Locations
Temperature code, T4A – USA
T3C – Canada

Warranty

Equipment. GAI-Tronics warrants for a period of one (1) year from the date of shipment, that any GAI-Tronics equipment supplied hereunder shall be free of defects in material and workmanship, shall comply with the then-current product specifications and product literature, and if applicable, shall be fit for the purpose specified in the agreed-upon quotation or proposal document. If (a) Seller's goods prove to be defective in workmanship and/or material under normal and proper usage, or unfit for the purpose specified and agreed upon, and (b) Buyer's claim is made within the warranty period set forth above, Buyer may return such goods to GAI-Tronics' nearest depot repair facility, freight prepaid, at which time they will be repaired or replaced, at Seller's option, without charge to Buyer. Repair or replacement shall be Buyer's sole and exclusive remedy. The warranty period on any repaired or replacement equipment shall be the greater of the ninety (90) day repair warranty or one (1) year from the date the original equipment was shipped. In no event shall GAI-Tronics warranty obligations with respect to equipment exceed 100% of the total cost of the equipment supplied hereunder. Buyer may also be entitled to the manufacturer's warranty on any third-party goods supplied by GAI-Tronics hereunder. The applicability of any such third-party warranty will be determined by GAI-Tronics.

Services. Any services GAI-Tronics provides hereunder, whether directly or through subcontractors, shall be performed in accordance with the standard of care with which such services are normally provided in the industry. If the services fail to meet the applicable industry standard, GAI-Tronics will re-perform such services at no cost to buyer to correct said deficiency to Company's satisfaction provided any and all issues are identified prior to the demobilization of the Contractor's personnel from the work site. Re-performance of services shall be Buyer's sole and exclusive remedy, and in no event shall GAI-Tronics warranty obligations with respect to services exceed 100% of the total cost of the services provided hereunder.

Warranty Periods. Every claim by Buyer alleging a defect in the goods and/or services provided hereunder shall be deemed waived unless such claim is made in writing within the applicable warranty periods as set forth above. Provided, however, that if the defect complained of is latent and not discoverable within the above warranty periods, every claim arising on account of such latent defect shall be deemed waived unless it is made in writing within a reasonable time after such latent defect is or should have been discovered by Buyer.

Limitations / Exclusions. The warranties herein shall not apply to, and GAI-Tronics shall not be responsible for, any damage to the goods or failure of the services supplied hereunder, to the extent caused by Buyer's neglect, failure to follow operational and maintenance procedures provided with the equipment, or the use of technicians not specifically authorized by GAI-Tronics to maintain or service the equipment. **THE WARRANTIES AND REMEDIES CONTAINED HEREIN ARE IN LIEU OF AND EXCLUDE ALL OTHER WARRANTIES AND REMEDIES, WHETHER EXPRESS OR IMPLIED BY OPERATION OF LAW OR OTHERWISE, INCLUDING ANY WARRANTIES OF MERCHANTABILITY OR FITNESS FOR A PARTICULAR PURPOSE.**

Return Policy

If the equipment requires service, contact your Regional Service Center for a return authorization number (RA#). Equipment should be shipped prepaid to GAI-Tronics with a return authorization number and a purchase order number. If the equipment is under warranty, repairs or a replacement will be made in accordance with the warranty policy set forth above. Please include a written explanation of all defects to assist our technicians in their troubleshooting efforts.

Call 800-492-1212 (inside the USA) or 610-777-1374 (outside the USA) for help identifying the Regional Service Center closest to you.